



Model Shown : LED 4WP

Examination lamps

LED 4WP / LED 4W 0CP / LED 7WP / LED 7W VARP

LED 7W 0CP / HL20P

LED 4W / LED 4W 0C / LED 7W / LED 7W VAR

LED 7W 0C / HL20



Product Identification

Model Number :

Serial Number :

Date of Purchase :

Name of Owner / Facility :

Name of Dealer :

Dealer's Phone Number :

Promotal Authorized Service Company :

Legal Notice

Dealer :

PROMOTAL
22, rue de Saint Denis de Gastines
B.P. 26 - 53500 ERNÉE Cedex
FRANCE
Tél. : +33 (0)2 43 05 12 70
Fax : +33 (0)2 43 05 68 99
internet : www.promotal.com

The descriptions and specifications contained in this Operating Manual are deemed correct at the time of printing.

Promotal, however, reserves the right to modify its models and its procedures or render them obsolete without notice.

Before any order, we recommend that our customers consult a local sales manager.

Maker :

L.I.D. SOTRAMET S.A.R.L.
Z.A. Berthoire
36, avenue Jean Monnet
13410 LAMBESC
FRANCE
Tél. : +33 (0)4 42 92 89 76
Fax : +33 (0)4 42 92 85 40
internet : www.lid-eclairages.com
contact@lid-eclairages.com

Type plate





Important Information	5
<i>Safety symbols</i>	5
<i>Power supply</i>	5
<i>Electromagnetic interfere</i>	5
Precautions when unpacking	6
<i>Dismounted material</i>	6
<i>Storage condition</i>	6
<i>Conditions of use</i>	6
<i>Unpacking / Installation</i>	6
<i>Verification</i>	6
Cleaning protocol	7
<i>Warning</i>	7
<i>General maintenance</i>	7
<i>Maintenance Instructions</i>	7
<i>Stainless steel products</i>	7
<i>PVC and ABS products</i>	7
User's Guide – Examination Lamps	8
<i>Intended use</i>	8
<i>Authorisation to use</i>	8
<i>Features</i>	8
<i>Electrical connections</i>	8
<i>Models</i>	9
<i>Assembly parts</i>	9
Assembling instruction	10
<i>Assembly of 5 branch base</i>	10
<i>Assembling the lamp on the base</i>	11

Using the Lamps	12
<i>Switch</i>	12
<i>Dimmer</i>	12
<i>Contactless switch</i>	12
<i>Castors with brakes</i>	13
<i>Using the castors</i>	13
Accessories	14
<i>Lamp holder</i>	14
<i>Installing the lamp holder</i>	14
<i>Ø 16mm lamp support for clamp</i>	14
<i>Wall support for lamp</i>	14
<i>Double articulated wall arm</i>	14
Lifespan of the Medical Device	15
<i>Obligatory/specific maintenance</i>	15
<i>End of the device's useful life</i>	15
Maintenance notebook	16
Note	17
Warranty Information	18
<i>Warranty</i>	18
<i>Obligations</i>	18
<i>Exclusions</i>	18
<i>Exclusive Remedy</i>	18
<i>No Authorization</i>	18

Important Information

Safety symbols



Warning sign

The information marked with this symbol must be read and strictly followed !

Note

Procedure, practice, or condition.



Humidity limitation



Maximum number of stacked pallets



Correct orientation for transportation



Atmospheric pressure limitation



Temperature limitation



Fragile



Keep in a dry place



Not to use sharp objects



Manufacturer



General safety sign



Double isolated



To be disposed off separately from household waste



Dangerous voltage / shock hazard



Refer to the instruction manual / brochure



CE marking



Warning

The warning pictograms and signs installed by the manufacturer must not be removed ! The manufacturer's responsibility is cancelled if these signals are removed.

Power supply



Class 2 type products are without earth protection due to the use of double isolated electric housing powered by a bipolar cable.

Electromagnetic interfere

This Medical Device distributed by Promotal was built in order to minimize electromagnetic interferences with other devices. If interferences are noted, it is necessary to withdraw the parts causing the interference and/or to connect the equipment on isolated circuits.

Precautions when unpacking

Dismounted material

These products are delivered unassembled.

The various elements are protected by the following types of packaging :

- plastic (vinyl) packaging
- bubble film packaging / foam or polystyrene
- cardboard packaging.

Storage condition

Ambient Temperature Range :

Relative Humidity :

Atmospheric Pressure :

The following conditions must be observed when storing any material :

- The area must be clean, well ventilated and be of a normal temperature.
- Store products away from the elements, and away from direct sunlight.
- The area must not be damp.

-15 °C to +60 °C (+5 °F to 140 °F)

10 % à 90 % (non-condensing)

0.5 bar to 1.05 bar (500 hPa to 1050 hPa)

- The products must not be subject to bumps or jolts.
- Do not store in an area where people are likely to pass.
- Articles must not be stacked on top of each other.
- Articles must remain in their original packaging until final delivery.

Conditions of use

- Dry and temperate area.
- Maximum altitude : 2000 m

- Temperature 10 to 40° C
- Relative humidity 75% maxi.

Unpacking / Installation

When installing, remove all staple clips and carefully remove the cardboard packaging. Fragile parts of the product (upholstery coverings, plastic casings, etc.) may be just below the packaging. Care must be taken with cutting instruments.

Once the packaging has been removed, remove any remaining protective covering.

In the case of packaging on a wooden palette, remove the packaging as above. Depending on the model, the product is fixed either by screwed flanges, or by nailed wooden stakes. Use a spanner (for metal flanges). Use a claw hammer (for wooden stakes). Lift the article off the palette, and remove the remaining protective covering. The product is now ready for use.

Verification

After unpacking the device, follow the steps below :

Check the delivery documents to make sure that the consignment is complete.

Check the external components and look for possible transport damage.

Check that the package contains the device, the accessories and options, the power cord (*if electric DM*) and the Operating guide.

Note :

Questions, incidents, and complaints should direct at :

Promotal
22, Rue de Saint Denis de Gastines
53500 Ernée,
FRANCE
Téléphone : + 33 (0)2 430 517 76
Fax : + 33 (0)2 430 572 00

Cleaning protocol

Warning

You must read the installation instructions, technical instructions, and instructions for use before handling this equipment. The instrument must be used only for the specific purpose for which it is designed, and which is described in our literature. The assembly

and connection to the mains must be carried out by qualified personnel. Under no circumstances must electrical parts be opened. PROMOTAL cannot be held responsible for any damage resulting from the instructions not being followed.



Any modification of the DM is prohibited.



Caution

Only those accessories allowed and provided by Promotal for this DM may be used.

General maintenance

Apart from regular cleaning, our products do not require regular maintenance. The mechanical parts used as blocking mechanisms do not require any

specific attention. Their shaft must be kept clean, must not be subject to jolts or hard knocks, and must not be cleaned with any corrosive products.

Maintenance Instructions

Stainless steel products

Cleaning and Maintenance : For maintenance of stainless steel products, periodic cleaning of the surface is sufficient. This operation is necessary to keep the products clean, but is facilitated by the quality of stainless steel surfaces. A large range of products and cleaning methods may be used. The choice products method will depend on the nature of the marks or on the product content, and on the conditions of use of the stainless steel elements.

Cleaning agents

a) Detergent - washing liquids : All types of detergents, washing liquids and commercial soaps may be used, provided they do not contain any chlorine products.

b) Abrasive powders : These products may scratch the stainless steel surface, thereby changing the way its appearance. They should therefore not be used.

c) Solvent : May be useful in getting rid of grease marks. The usual solvents (benzene, methylene chloride, white spirits etc.) as well as domestic or specially prepared industrial products may be used. Naturally their use requires certain precautions to be taken because of their flammable and toxic properties. Precautions must also be taken to avoid damaging adjacent materials which may be sensitive to their chemical action (paints, mastics, joints etc.).

d) Acid products : Vinegar (acetic acid) may be used to get rid of stains made by calcium deposits. Its contact with the surfaces must be of a very limited duration, and the surface must then be thoroughly and carefully rinsed with clean water. The use of chlorine based products could damage this equipment.

e) Bases : Not recommended.

Others : The use of steel wool or metal sponges could damage the surfaces of the products.

PVC and ABS products

Cleaning and Maintenance : The use of commercial cleaning products, such as window cleaning products, are safe for PVC and ABS surfaces. To restore up an old or dull surface, plastic restorer products may be used. Please note that the use of any solvents or any abrasive products is could damage these surfaces.



Intended use

This lamp is designed for medical examination purposes only. This lamp does not qualify for operating standards, and is not to be used for operating purposes.



This lamp is to be used in a professional medical examination room only (hospital, clinic, Doctor) This lamp is not to be used under any circumstances in an operating room.

Authorisation to use

Only health professionals (doctors, caregivers) and/or qualified members of the technical staff can handle or use the couch.

Patients and companions must not intervene directly on the couch. They must not have access to the couch controls.

This medical device must not be used in the presence of anaesthetics that are flammable in air or comburant gases such as oxygen or nitrous oxide in order to prevent all risks of explosion.

Features

LED Technology : 50 000 hours lifetime

Halogen Technology : 5 000 hours lifetime

Available in Class II

Gooseneck length 650/1000 mm according to model

Power from 4,2 to 20 W

White lamp, gooseneck and wire

3 ways of fixation possible

3 m length power cord



Electrical connections

The supply on/off switch is on the base of the lamp.

This lamp must be connected to the main electricity supply.

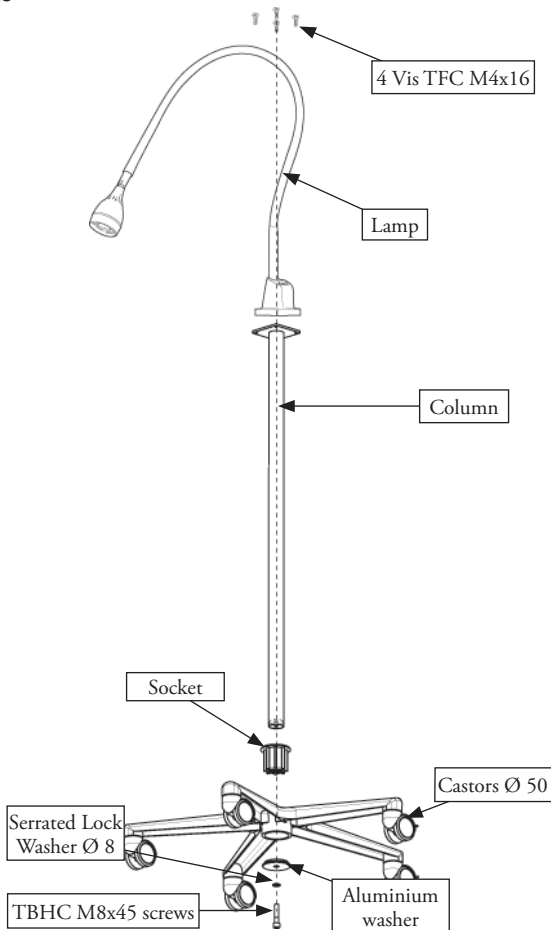
Connection to the supply :	230 V
Frequency :	50 Hz
Protection Classification / Degree of electric shock protection :	Class 2 / B
Power input of the bulb :	12 V, by a butt-in transformer with a thermic fuse.
Maximum operating altitude :	2000 m

If the chair is not to be used for a prolonged period of time, it should be switched off and disconnected from the mains.

Models

Power	Color	Lamp only	Lamp only <i>(With contactless dimmel)</i>	Lamp only <i>(With contactless switch)</i>	Lamp + Stainless steel column	Lamp + Stainless steel column <i>(With contactless dimmel)</i>	Lamp + Stainless steel column <i>(With contactless switch)</i>
4 w	White	LED 4W		LED 4W OC	LED 4WP		LED 4W OCP
7 w	White	LED 7W	LED 7W VAR		LED 7WP	LED 7W VARP	
7 w	White			LED 7W OC			LED 7W OCP
20 w	White	HL20			HL20P		

Assembly parts



Assembling instruction

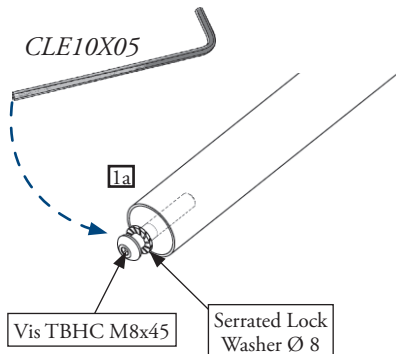
Assembly of 5 branch base

(for all models)

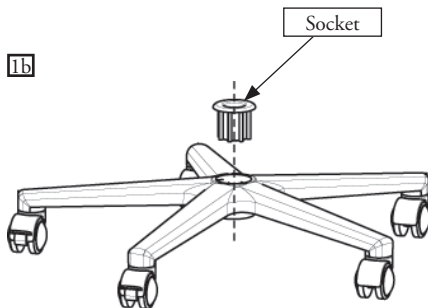


Caution
The type LED7W (1 m long cable) is not to be assembled with this base.

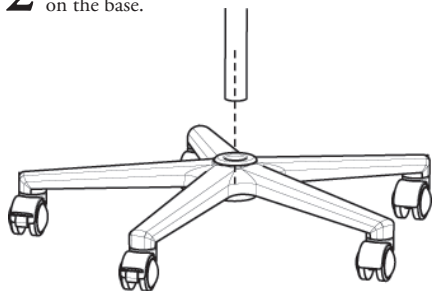
- 1** Unscrew the unit delivered (1a).



And insert the socket on the base (1b).



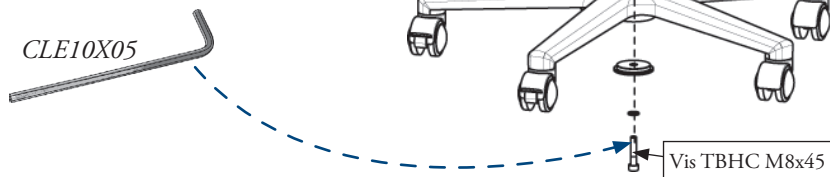
- 2** Insert the tube in the socket already installed on the base.



- 3** Screw the unit together.



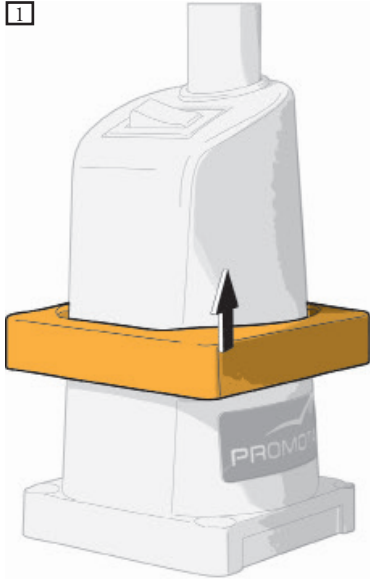
Check that the parts are secure before use.



Assembling the lamp on the base

1 Screw together using the 4 screws supplied.

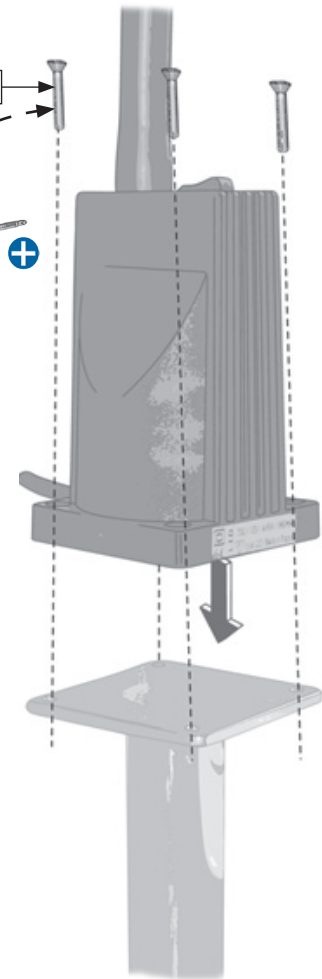
1



2

4 TFC M4x16 screws

Cross-head
screw driver

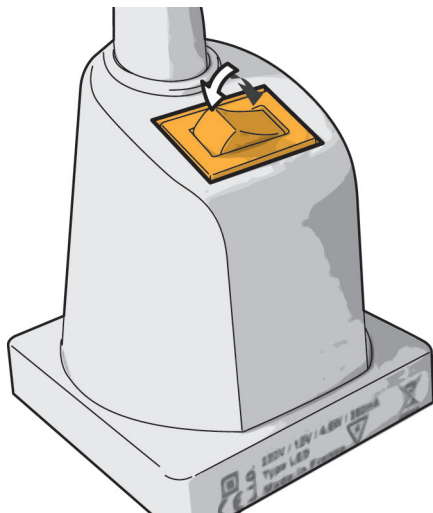


Check that the parts are secure before use.

Using the Lamps

Switch

(Only for models LED4W, LED4WP, LED7W, LED7WP, HL20 and HL20P)



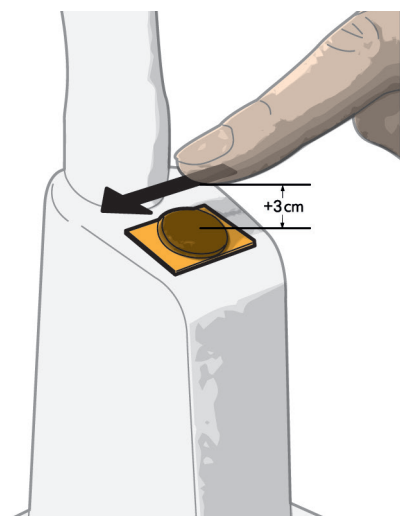
Dimmer

(Only for models LED7WVAR and LED7WVARP)



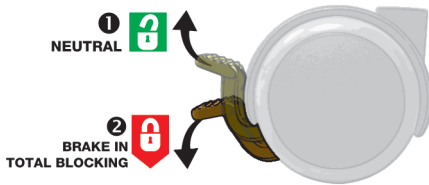
Contactless switch

(Only for models LED4WOC, LED4WOCp, LED7WOC, LED7WOCp)



Castors with brakes

Using the castors



Caution

Ensure brakes are fully engaged before installing a patient.

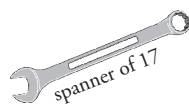
Accessories

Lamp holder

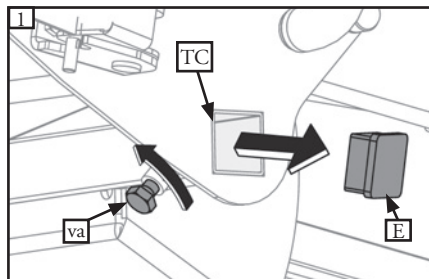
(reference 11910-01)

Installing the lamp holder

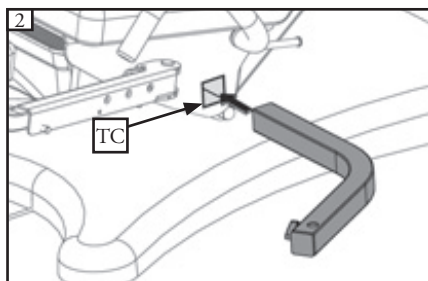
(Insert right or left)



- Remove the tip (E) 40x40 on the tube (tc), and unscrew the screw (VA).



- Insert the lamp support in the tube (TC) and tighten the screw (VA).



∅ 16mm lamp support for clamp

(reference 957)



Caution
Clamps are necessary to install these accessories.
(ref. : 11910-01).

Wall support for lamp

(reference 958)



Double articulated wall arm

(reference 954)



Lifespan of the Medical Device

The LED lamp was designed for a lifespan of 50 000 h.

The halogen lamp was designed for a lifespan of 5 000 h.

This duration may change depending on the frequency of use.

CHECK AT LEAST ONCE A YEAR THE GENERAL CONDITION OF THE DEVICE.

Promotal advocates a monitoring of products and to proceed with the replacement of worn parts.

For any intervention, please contact your local authorized dealer, indicating the serial number of the device.

Obligatory/specific maintenance

Once per year :

- Check the good tightening of the screws and the rods.
- Check that the cord of food does not present a cut or another material damage.
- Note this information and the date of checking on the notebook of maintains.

End of the device's useful life

Your dealer is responsible for reclaiming and processing this device at the end of its service life.

Do not hesitate to contact Promotal, if necessary. We will suggest to you a solution to process this equipment in the best conditions.



Material warning

Do not dismantle the equipment

If a defect is detected, immediately contact your retailer or the after-sales department of your retailer (cf Warranty Information) for a complete diagnosis. If a doubt remains, do not use the equipment.

MAINTENANCE NOTEBOOK

Product Reference :
Serial number (cf. label) :
Manufacturing date (start date of warranty) :

.....
.../.../...

Date	Name of technician	Type of intervention - corrective action

If the product is returned to the retailer or manufacturer, please clean and disinfect the material.



Note

Warranty Information

Warranty

Promotal guarantees emotio and its components' on the billing date :

10 years on the structure.

5 Years on electrical components :

control panel, pedal, cylinders, control box, safety sensors and cabling.

Obligations

Promotal will, at its discretion and expense, replace defective parts reported to Promotal within the applicable warranty period, and which, upon examination by Promotal, prove to be defective.

In accordance with CE regulation, Promotal's distributor is responsible for after sales service during and after the warranty period.

Exclusions

- This warranty does not extend to :

(1) Spare parts and consumables.

(2) Travel and labour expenses.

(3) Breakdowns due to improper use, manifest neglect, or to moving the device.

(4) Equipment whose original characteristics have been changed by the user.

(5) Control units, hydraulic and electric jacks if opened by the user (seals broken).

(6) Damage, breakdowns, failures, or defects attributable to outside causes (lightning, electric surges, floods, natural catastrophes, impacts, etc.) or to the presence of foreign objects.

(7) Damage caused by improper hook-up or by the power supply, damage caused by corrosion or by gradual deterioration of the product.

(8) Indirect damage related to loss of use and penalties generated by poor performance.

(9) Aesthetic damage incurred by the outside parts of the equipment, which does not hinder proper operation, such as scratches, chips, and scrapes.

(10) Devices whose serial number has been rendered illegible or has been changed or removed

Exclusive Remedy

Promotal's only obligation under this warranty is the replacement of defective parts. Promotal shall not be liable for any direct, indirect, special, incidental, exemplary, or consequential damages or delay, including, but not limited to, damages for loss of profits or loss of use.

No Authorization

No person or firm is authorized to create for Promotal any other obligation or liability in connection with the products.

THIS WARRANTY IS PROMOTAL'S ONLY WARRANTY AND IS IN LIEU OF ALL OTHER WARRANTIES, EXPRESS OR IMPLIED.

* Upholstery sets are warranted 1 year from manufacturing defaults.

EU Declaration of Conformity

We,

Promotal

22 rue de Saint Denis de Gastines

53500 Ernée – France

SRN: FR-MF-000001666

declare, under our sole responsibility, that the following electrical medical device:

Commercial name: LED 4W P / LED 4W P F / LED 4W 0C P / LED 4W 0C P F
LED 7W P / LED 7W VAR P / LED 7W 0C P
LED 17W 0C P / LED 17W 0C X2 P

Description: Examination lamps

Basic UDI-DI: 37014094LAMPESLED7J

is a Class I medical device,

complies with the requirements of **Regulation (EU) 2017/745** of the European Parliament and of the Council of 5 April 2017,

complies with the following European directives:

- **Directive 2011/65/EU (RoHS 2)** of the European Parliament and of the Council of 8 June 2011
- **Delegated Directive (EU) 2015/863** of the Commission of 31 March 2015
- **Directive (EU) 2017/2102** of the European Parliament and of the Council of 15 November 2017

meets the applicable European standards,

bears, as such, the CE marking.

Year that the CE (Medical Devices) marking was initially affixed: 2014

Signed in Ernée,

On 26 May 2021



Rudolf MOURADIAN

Chairman

Promotal

22 rue de Saint-Denis de Gastines, 53500 Ernée, France

Tel.: +33 (0)2 43 05 17 76

Fax : +33 (0)2 43 05 72 00 www.promotal.com

EN



CE

PROMOTAL - FRANCE
www.promotal.com
DICLED7WOC_2121EN

